



UNITED STRUCTURES OF AMERICA
I N C O R P O R A T E D

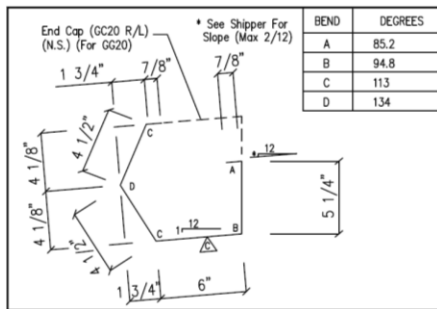
TECHNICAL BULLETIN

Date: February 25, 2016

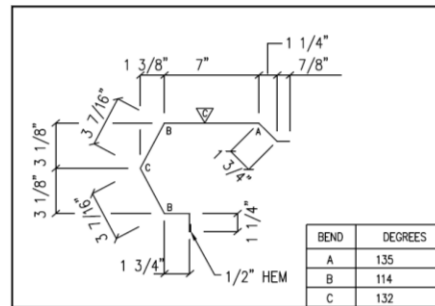
TB2016.02.25

NEW STANDARD GUTTER AND RAKE PROFILE

Effective immediately U.S.A. will begin offering a new standard gutter profile. The profiles below are the standard profiles which will be supplied on all new orders **unless specified otherwise.**



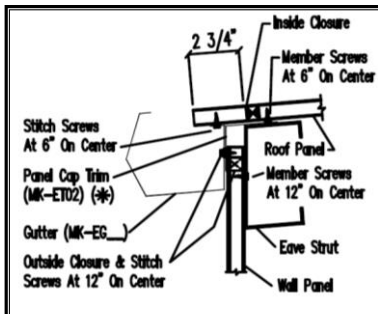
Typical Gutter Profile



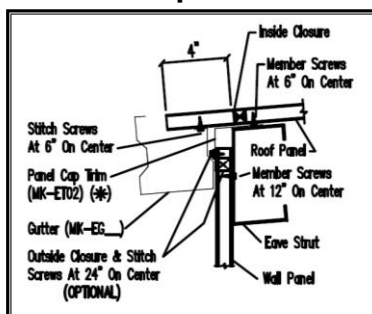
Typical Rake Trim Profile

Be advised our old gutter and rake profile(s) will still be available. As always, when tying into any existing building you should be cognizant of the existing trim profile and **provide a trim profile according to the customer's requirements.** Each profile offered by U.S.A. will be referred to as noted below:

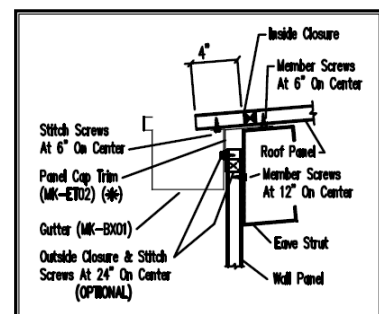
Standard



Sculptured



Box



We will be updating our details, price files, and contract documents soon based on this new offering. Should you have any questions or concerns please do not hesitate to contact the office.